

G15E (Plastic Lever) Series

Ultra-miniature Micro Switch



■ Features

- ◆ Small compact size, it can be used in places requiring high space utilization
- ◆ High precision shrapnel structure
- ◆ Momentary contact structure

■ Application

- ◆ Car
- ◆ Air-Conditioner
- ◆ Communication

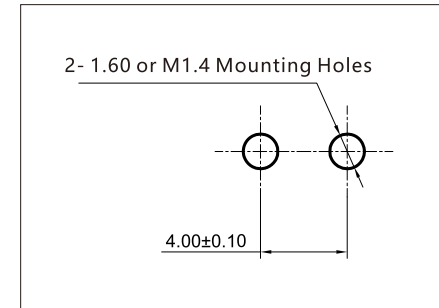
■ Parameters

Rating		1A/15VDC
Operating Frequency	Electrical	20 cycles/min
	Mechanical	60 cycles/min
Contact Resistance (Initial Value)		100mΩ Max.
Insulation Resistance (at 500VDC)		100MΩ Min.
Dielectric Strength		500VAC 50~60Hz for 1 Min
Operating Temperature		-40°C~+85°C
Operating Humidity		85% RH Max.
Service Life	Electrical	10,000 cycles
	Mechanical	300,000 cycles

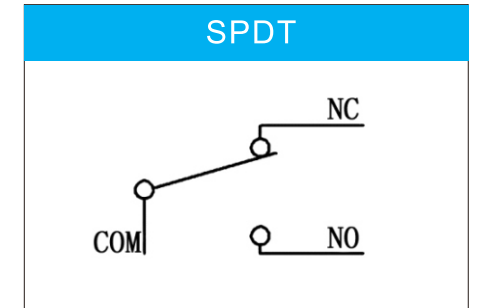
G15E Series Ultra-miniature Micro Switch Ordering Instruction

G15E	Switch Type	G15E Series Ultra-miniature Micro Switch											
01	Rating	1A 15VDC											
15	Operating Force	15 With lever 15grf Max.											
P	Terminal Style	<table border="1"> <tr> <td>P</td> <td>Standard PCB Terminals</td> </tr> <tr> <td>D</td> <td>Long PCB Terminals</td> </tr> <tr> <td>L</td> <td>Left Side PCB Terminals</td> </tr> <tr> <td>R</td> <td>Right Side PCB Terminals</td> </tr> </table>				P	Standard PCB Terminals	D	Long PCB Terminals	L	Left Side PCB Terminals	R	Right Side PCB Terminals
P	Standard PCB Terminals												
D	Long PCB Terminals												
L	Left Side PCB Terminals												
R	Right Side PCB Terminals												
01	Lever Type	<table border="1"> <tr> <td>01</td> <td>01# Lever</td> </tr> <tr> <td>02</td> <td>02# Lever</td> </tr> </table>				01	01# Lever	02	02# Lever				
01	01# Lever												
02	02# Lever												
W	Base Color	White Color W											
Au	Contact Material	Gold Plated Au											
T001	Custom Code	General Customized according to requirements. T0: the code 01: format: T+ serial number XXX for example: T001 ... Other											

■ Mounting Hole Dimensions



■ Circuit Configuration

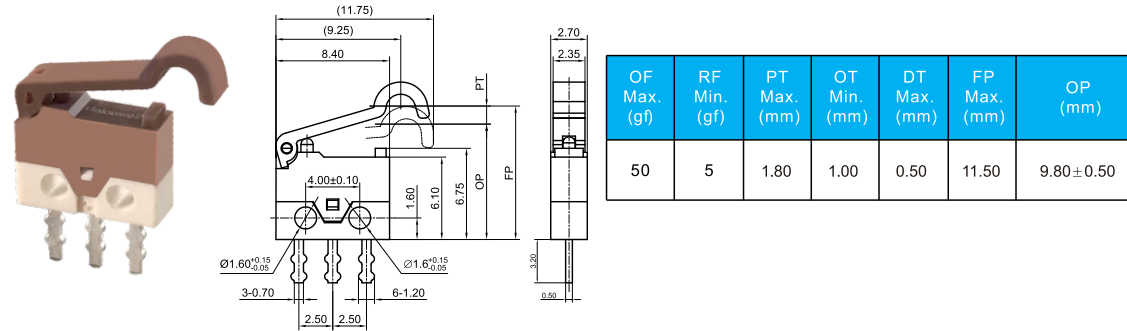


■ Terminal Style

P: Standard PCB Terminals	D: Long PCB Terminals
L: Left Side PCB Terminals	R: Right Side PCB Terminals

■ Dimensions and Operating Characteristics

◆ G15E01-15P02WAuU



◆ G15E01-150P01WAuU

