

G20 series

Automotive Seat Belt Reminder Switch



■ Features

- ◆ Small in size, compact in structure, with high reliability and long service life.
- ◆ Mainly used in micro-current load industries such as car seat and electronic equipment;
- ◆ The series has a variety of built-in resistor structure options.

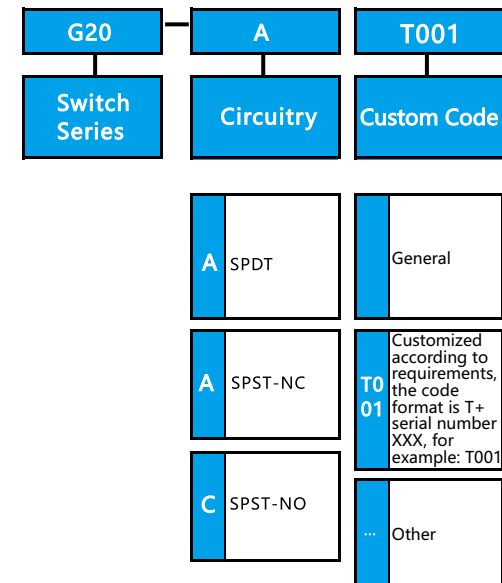
■ Application

- ◆ Car seat
- ◆ Electronic equipment

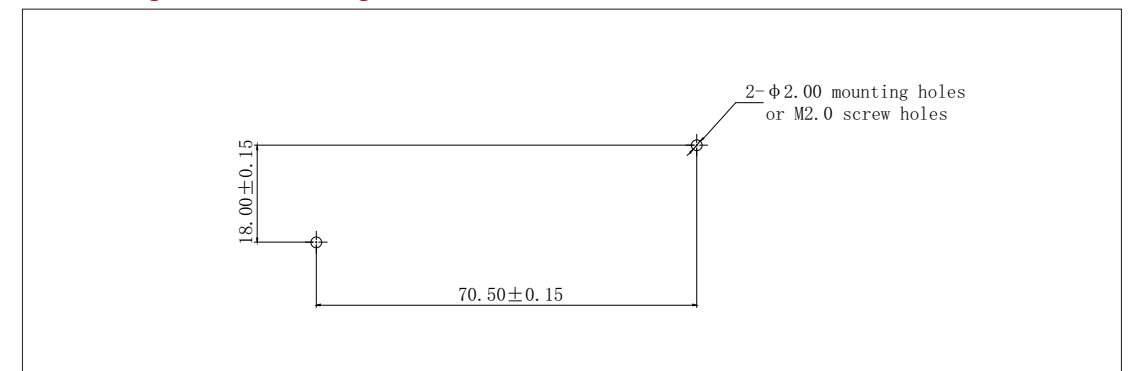
■ Characteristic Parameters

Rating		5 ~ 1000mA 4 ~ 48VDC (according to different resistance selection)
Operating Frequency	Mechanical	120 cycles/min.
	Electrical	10~30 cycles/min 1~500mm/s
Contact Resistance (Initial Value)		100mΩ Max. (single switch, excluding resistors)
Insulation Resistance		100MΩ Min. (single switch, excluding resistors)
Dielectric Strength		Between terminals: AC 500V (single switch, excluding resistors) Between terminals and housing: AC 1000V
Operating Temperature		-40°C ~ +85°C
Service Life	Electrical	300,000 cycles
	Mechanical	1,000,000 cycles

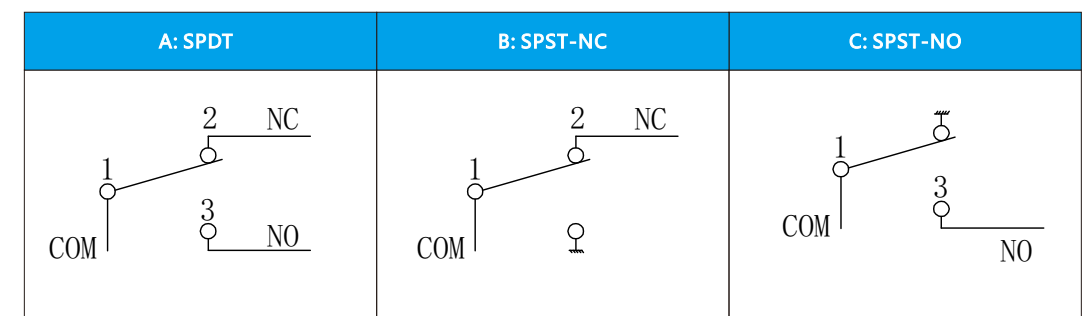
G20 Series Automotive Seat Belt Reminder Switch Ordering Instruction



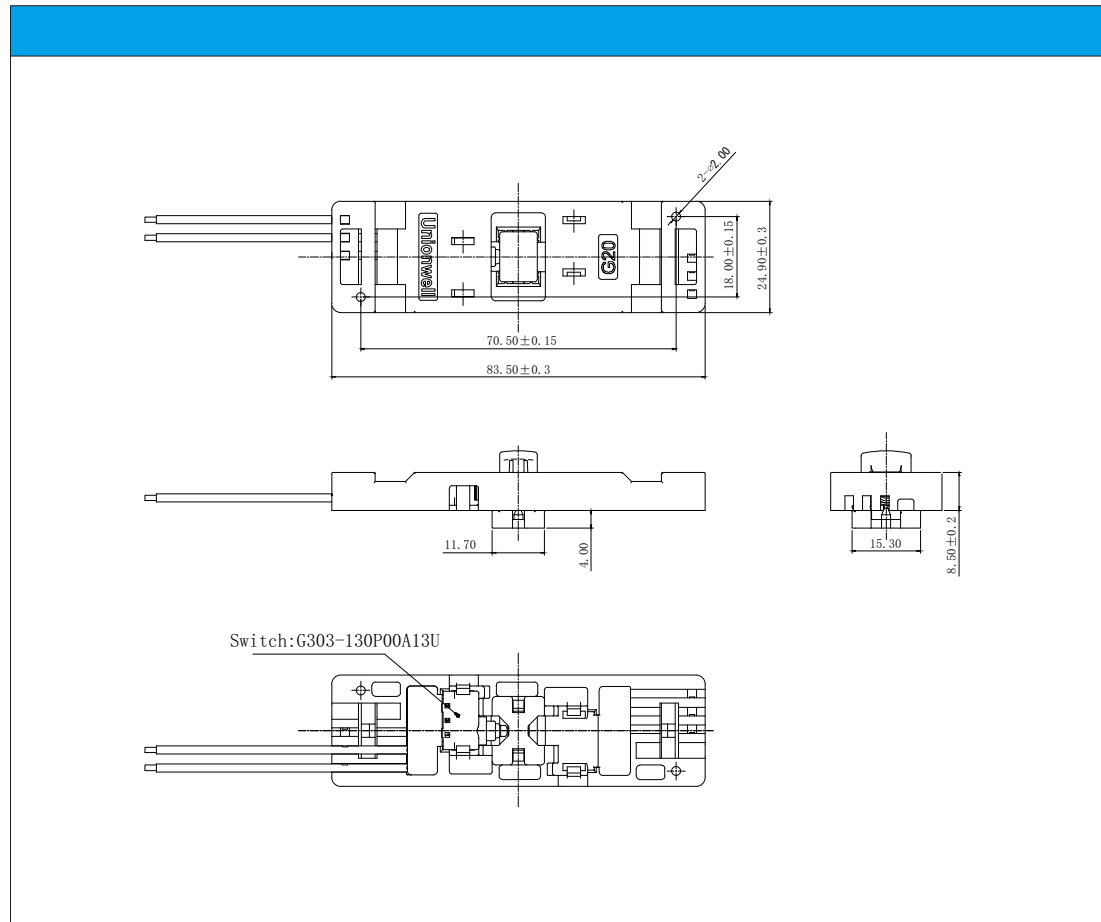
■ Mounting Hole Processing Dimensions (Unit: mm)



■ Circuit Configuration

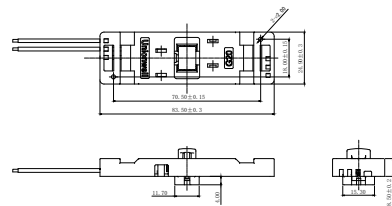


■ Dimensions (mm)



■ Operating Features

◆ G20-A001



OF Max. (gf)	RF Min. (gf)	TTP Min. (mm)	DT Max. (mm)	FP Max. (mm)	OP (mm)
-600	600	200	8.5	1.0	15
					10 ± 1.0