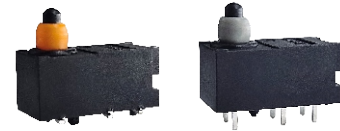


G307A Series

Sealed Subminiature Micro Switch



■ Features

- Momentary structure, dual loop synchronization time $\leq 15\text{ms}$;
- Small size, compact structure, high reliability, long life;
- Two shape options and two terminal mounting options - DIP or SMT.

■ Application

- Home Appliances
- Electronic Equipment
- Automatic Equipment
- Communication Equipment
- Auto Electronics
- Apparatus and Instruments

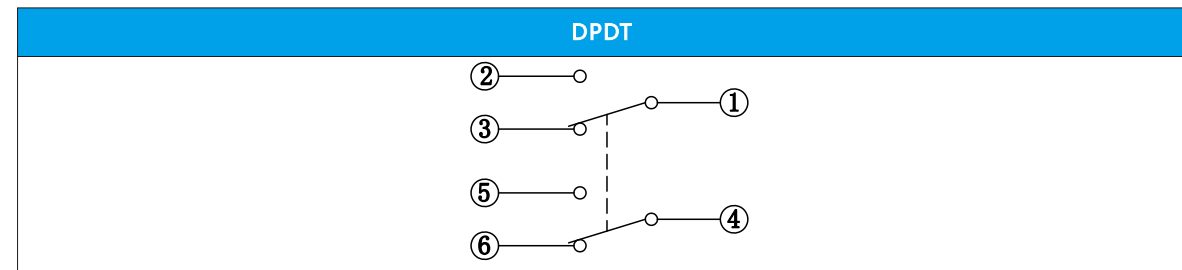
■ Parameters

Operating		1~500mm/s
Operating Frequency		120 cycles/min
Insulation Resistance		$\geq 100\text{M}\Omega$ (at 500VDC)
Contact Resistance (Initial Value)	With terminals type	$\leq 75\text{m}\Omega$
Voltage Resistance	Between terminals	AC500V, 50/60Hz, 1min.
	Between terminals and uncharged metal parts	AC500V, 50/60Hz, 1min.
Vibration Resistance	No transformation action	10-55Hz Double amplitude 1.5mm
Service Life	Electrical	300,000 cycles (20 cycles/min) 50mA 18VDC 50 μ A 5VDC
	Mechanical	300,000 cycles (30 cycles/min)
Protection Level		IEC IP67 (Exclude terminals)
Operating Temperature		-40~+85°C 60%RH (No ice, no frost)
Operating Humidity		95%RH (+5~+35°C)

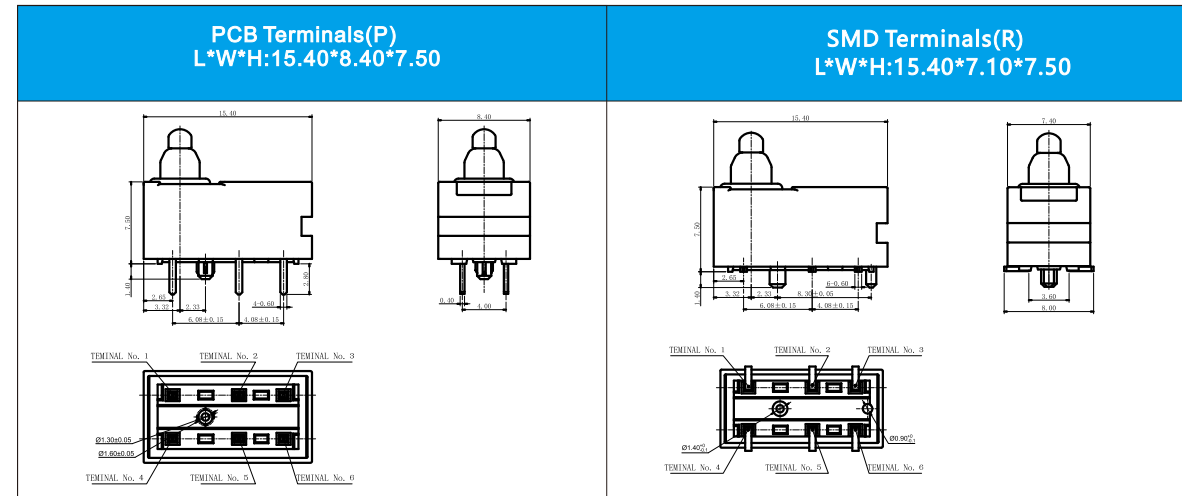
G307A Series Micro Switch Ordering Instruction

U	LOGO	Unionwell	Other
A	Circuitry	DPDT	DPST-NC DPST-NO
A	Dimensions	L*W*H 15.4*8.4*7.5	L*W*H 15.4*7.4*7.5
00	Lever Type	NO Lever pin plunger	01#Lever Other
P	Terminal Type	P Straight PCB Terminals	S SMT Terminals Special Terminals
150	Max Operating Force at Pin Plunger	150 150gf Max	Other
G307	Switch Type	Switch Type	

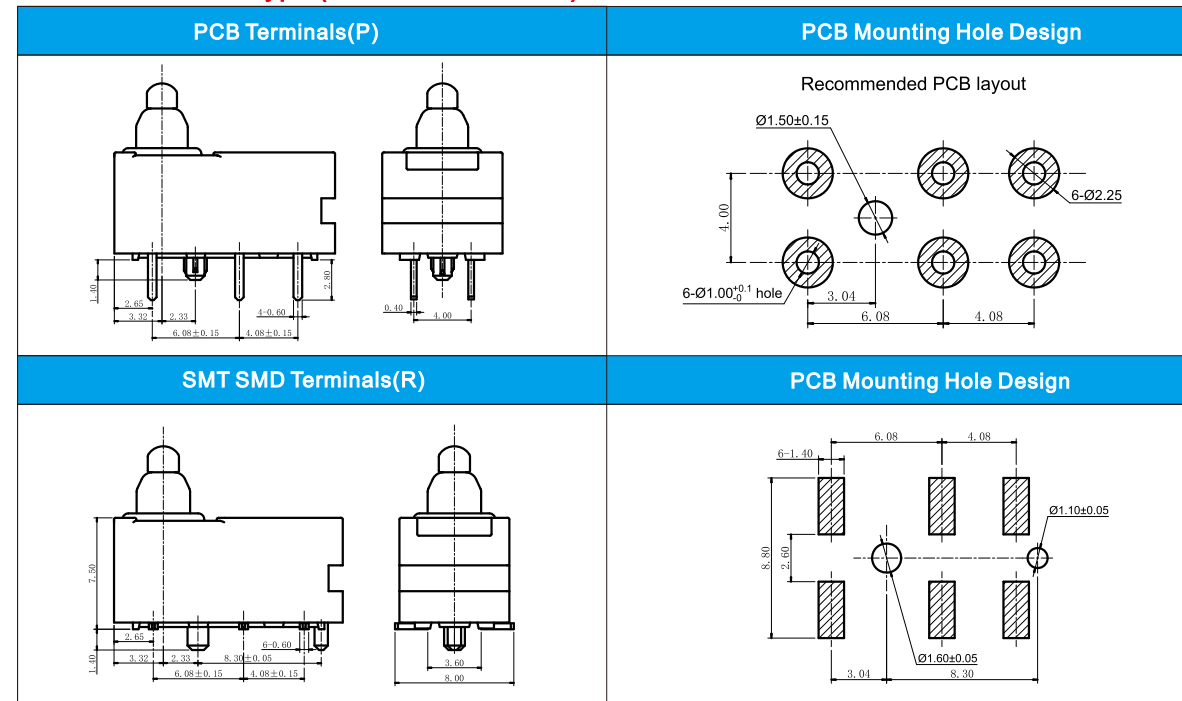
■ Circuit



■ Shape and Dimensions

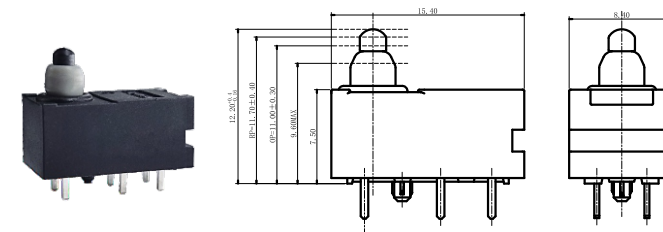


■ Switch Terminal Type (can be customized)



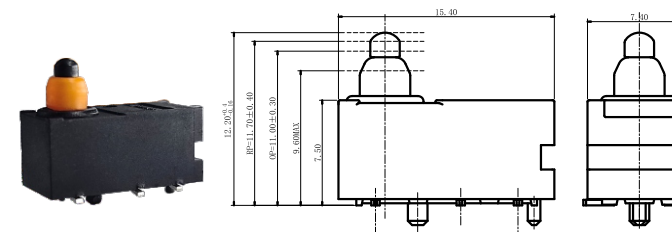
■ Dimensions and Operating Characteristics

◆ G307A-150P00AAU



OF Max (gf)	RF Min. (gf)	RP (mm)	TTP Max. (mm)	FP (mm)	OP (mm)
150	30	11.70±0.4	9.60	12.2+0.4/-0.16	11.0±0.3

◆ G307A-150R00BAU



OF Max (gf)	RF Min. (gf)	RP (mm)	TTP Max. (mm)	FP (mm)	OP (mm)
150	30	11.70±0.4	9.60	12.2+0.4/-0.16	11.0±0.3