

G305 Series

Subminiature Waterproof and Dustproof Micro Switch



■ Features

- Designed for water and dust tight (IP67)
- Small compact size
- Long life and high reliability
- Widely used in automotive electronics, home appliances and industrial control

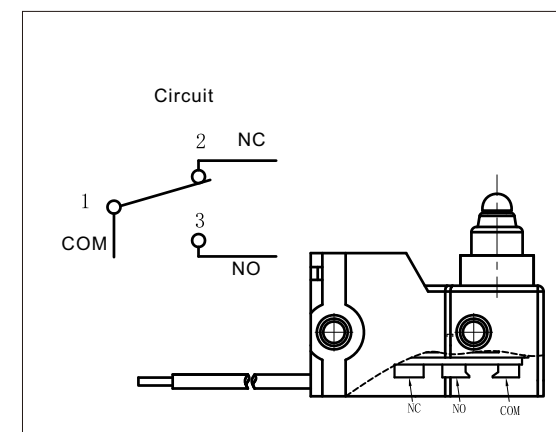
■ Application

- ◆ Car
- ◆ Air - Conditioner
- ◆ Communication
- ◆ Electric Toothbrush
- ◆ Toys
- ◆ Bicycle

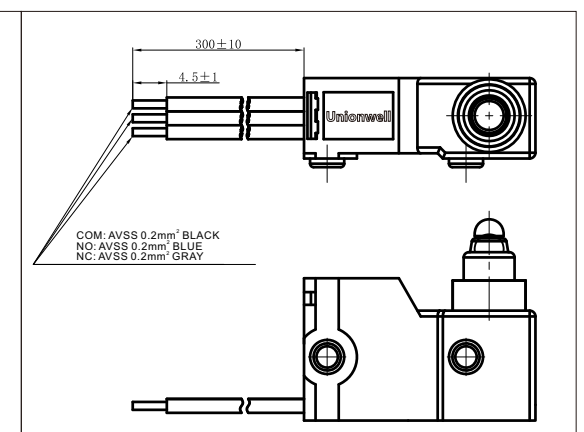
■ Parameters:

Rating	2A 24VDC 4A 12VDC 40T85 U10E4	
Operating Frequency	Electrical	0.1A-120 cycles/min; 4A-10~30 cycles/min
	Mechanical	120 cycles/min
Contact Resistance (Initial)	100mΩ Max	
Insulation Resistance (at 500VDC)	100MΩ Min	
Vibration Durability	10~55Hz, move 0.75mm (p-p)	
Dielectric Strength	500VAC (50~60Hz)	
Operating Temperature	-40°C~+85°C	
Operating Humidity	85% RH Max	
Service Life	Electrical	Min. 10,000 cycles
	Mechanical	Min. 500,000 cycles

■ Circuit

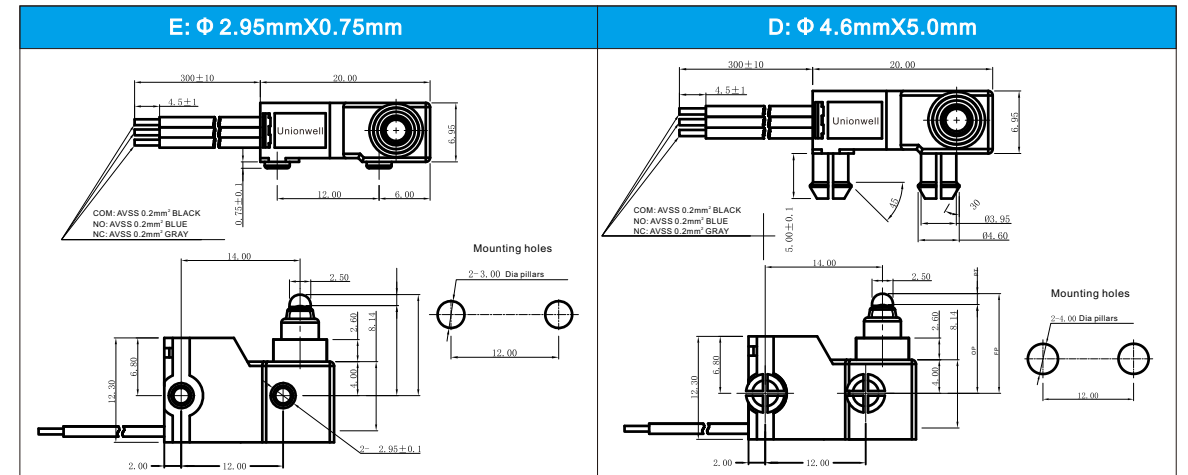


■ Switch Wire Type



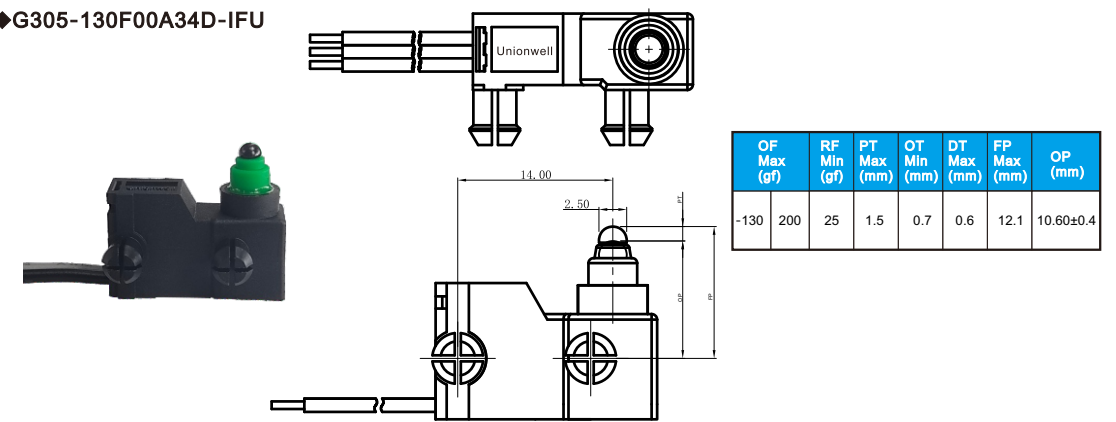
G3	05	130	F	00	A	33	D	I	F	280	T001	U
Switch Type	Electrical Rating	Operating Force at Pin Plunger, Max	Terminal Type	Lever Type	Circuitry	Shape and Posts	Posts Dimension	AWG Type (For wire type only)	AWG Number (For wire type only)	Wires Length	Custom Code	LOGO
05	2A 24VDC 4A 12VDC 40T85 μ 10E-4	130# Spring	F Molded lead wires on right side, far from pin plunger side	00 No lever pin plunger	A SPDT	33 Left side posts	D Cross type Φ 4.6mm x 5.0mm posts.	I 0.2mm ²	F AVSS	300mm length standard lead wires	General	Unionwell
				13 13# lever	B SPST-NC C SPST-NO	34 Right side posts	E Φ 2.95mm x 0.75mm posts.			280mm length	Customized according to requirements, the code format is T+ number XXX, for example: T001	Other
			

■ Dimensions and Operating Characteristics of Basic Shape



■ Switch Lever and Operating Characteristics

◆G305-130F00A34D-IFU



◆G305-130F13A34D-IFU

