

Unionwell

G13 Series

Dustproof Micro Switch



■ Features

- ◆ Small and compact
- ◆ Long life, high reliability
- ◆ Dustproof design
- ◆ Touch contact structure

■ Application

- ◆ Breakers

■ Parameters

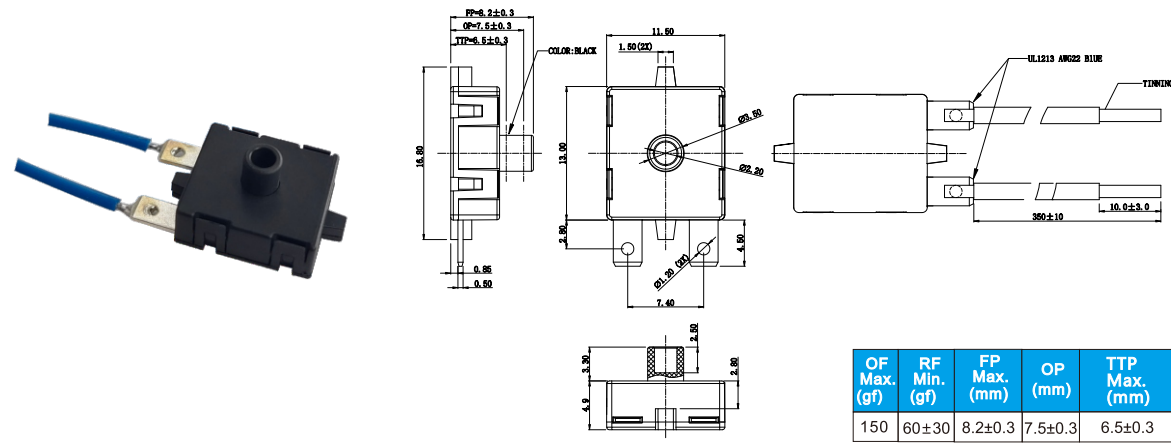
Rating		5A 250VAC 1E4
Operating Frequency	Electrical	10~30 cycles/min
	Mechanical	120 cycles/min
Contact Resistance(Initial Value)		100mΩ Max.
Insulation Resistance		100MΩ Min.
Dielectric Strength		1,000 VAC (50~60Hz)
Operating Temperature		-40°C~+150°C
Operating Humidity		85%RH Max.
Service Life	Electrical	10,000 cycles
	Mechanical	100,000 cycles

■ Contact Configuration

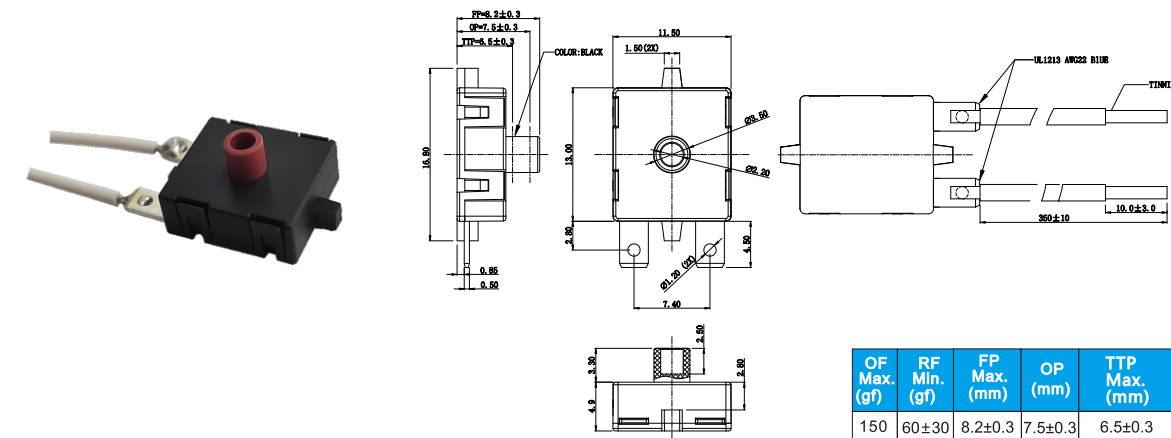
A001/A003	A002/A004
<p>NC ○ — ○ — — ○ — ○ NC</p>	<p>NO ○ — ○ — — ○ — ○ NO</p>

■ Dimensions and Operating Characteristics

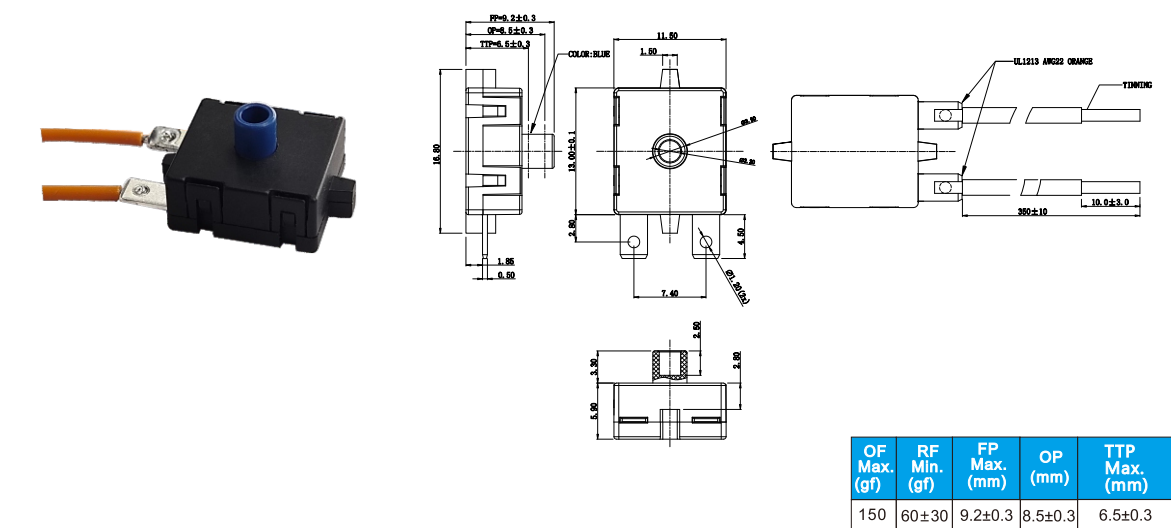
◆ G13-A001



◆ G13-A002



◆ G13-A003



■ Dimensions and Operating Characteristics

◆ G13-A004

