

# Unionwell

## GT07 Series

Keyboard Switch



### ■ Features

- ◆ Compact structure, high reliability, long life
- ◆ Dustproof design
- ◆ SPDT structure patent design
- ◆ Long life, high reliability
- ◆ Touch contact structure

### ■ Applications

- ◆ Election machines
- ◆ Process equipment
- ◆ Machine interface equipment

### ■ Specification and Parameters

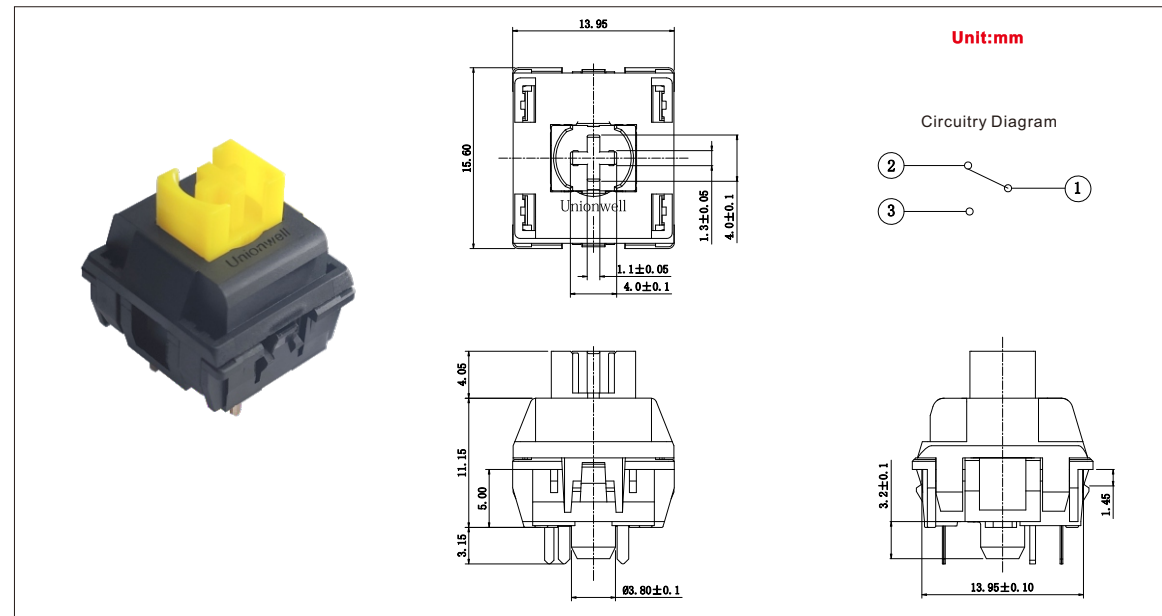
|                            |                       |   |
|----------------------------|-----------------------|---|
| Electrical Characteristics | Rating                | 12VDC/AC Max. 10mA VDC/AC Max.            |
|                            | Contact Resistance    | 200mΩ Max. (25mΩ Typical) (Initial Value) |
|                            | Insulation Resistance | 100MΩ Min                                 |
|                            | Voltage Resistance    | AC 500V (50-60Hz) 1 Min                   |
|                            | Electrical Life       | Over 10,000,000 cycles (Load)             |
|                            | Bounce Time           | Operation Speed at 400mm/sec 5 msec       |
| Parameters                 | Operating Force       | See Detail Spec                           |
|                            | Pre-travel            | PT1=1.0±0.4mm, PT2=1.6±0.4mm              |
|                            | Total Travel          | 4.0+0/-0.3mm                              |
|                            | Mechanical Life       | Over 10,000,000 cycles (No Load)          |
|                            | Operating Temperature | -40°C~+80°C                               |
|                            | Operating Humidity    | ≤85% RH                                   |

### GT07 Series Keyboard switch Ordering Instruction

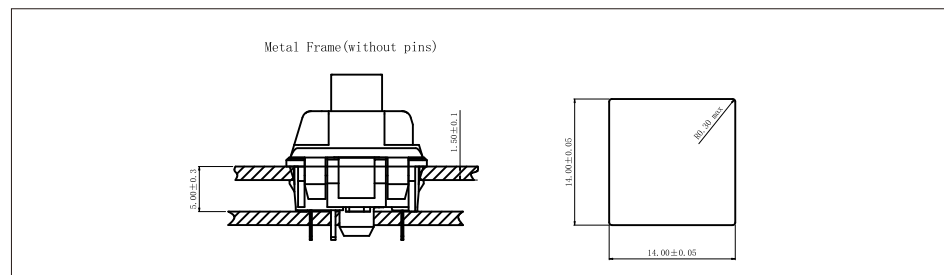
|                             |   |             |
|-----------------------------|---|-------------|
| GT07                        | T001  | U           |
| Switch Type                 | Custom Code   | LOGO        |
| GT07 Series Keyboard Switch | General   | U Unionwell |
|                             | T001<br>Customized according to requirements, the code format is T+serial number XXX, for example: T001 | ... Other   |
|                             | ... Other   |             |

# Unionwell

## ■ Dimensions



## ■ Mounting Options



## ■ Circuitry Board Layouts

- ◆ Keyboard switch without fixation pins

Gride line spacing=1.27mm

